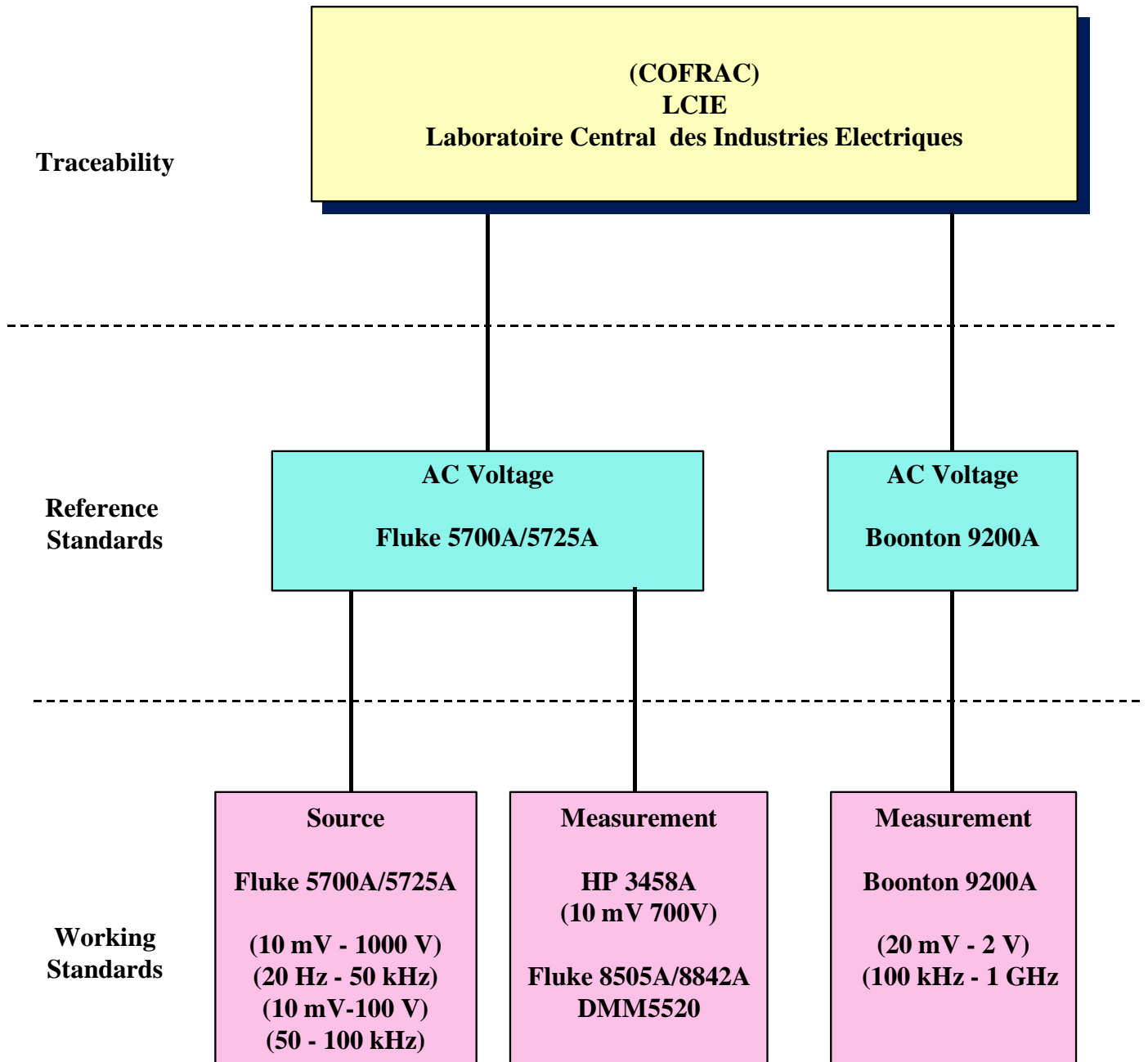
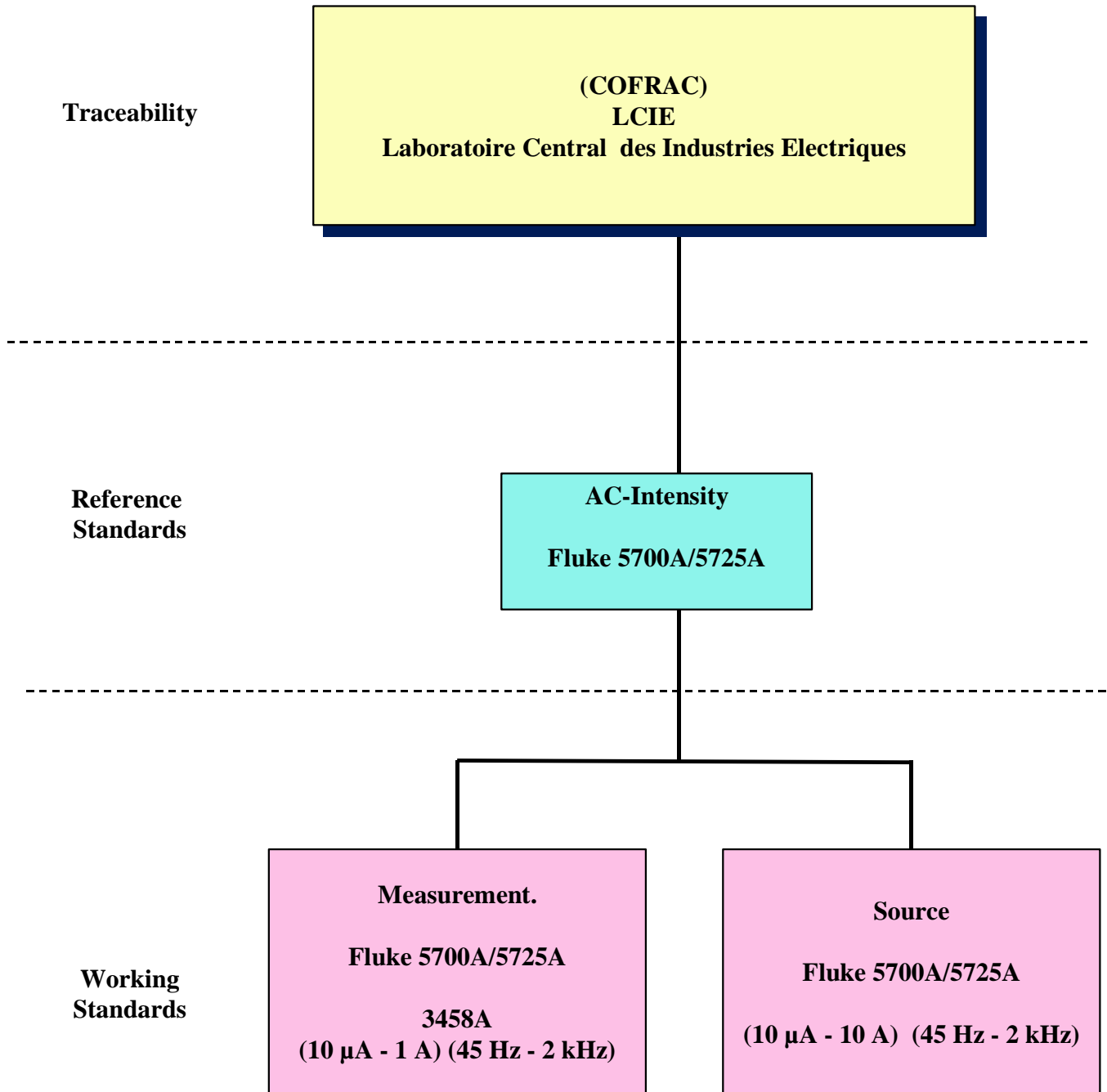


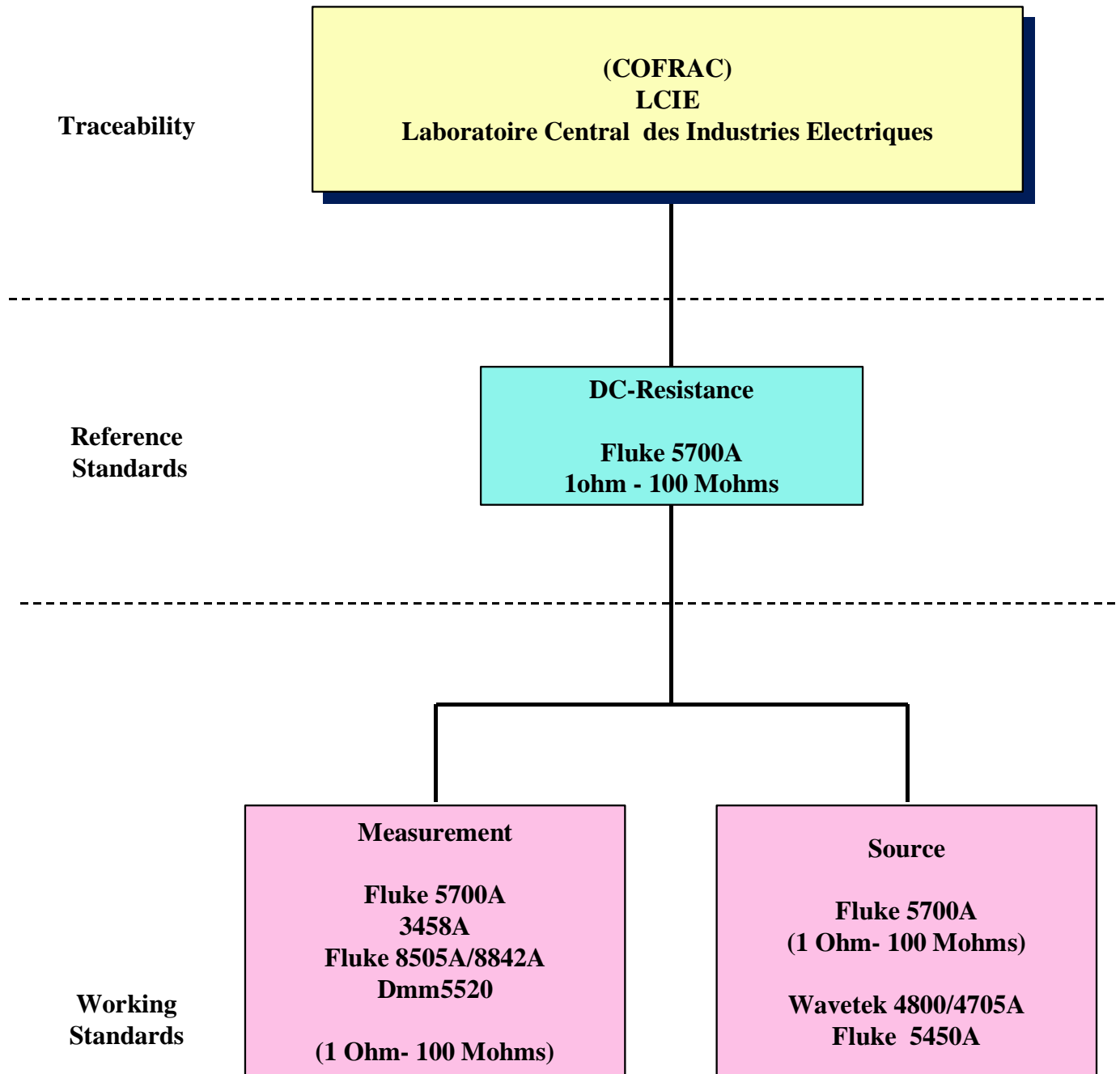
AC Voltage Traceability Map



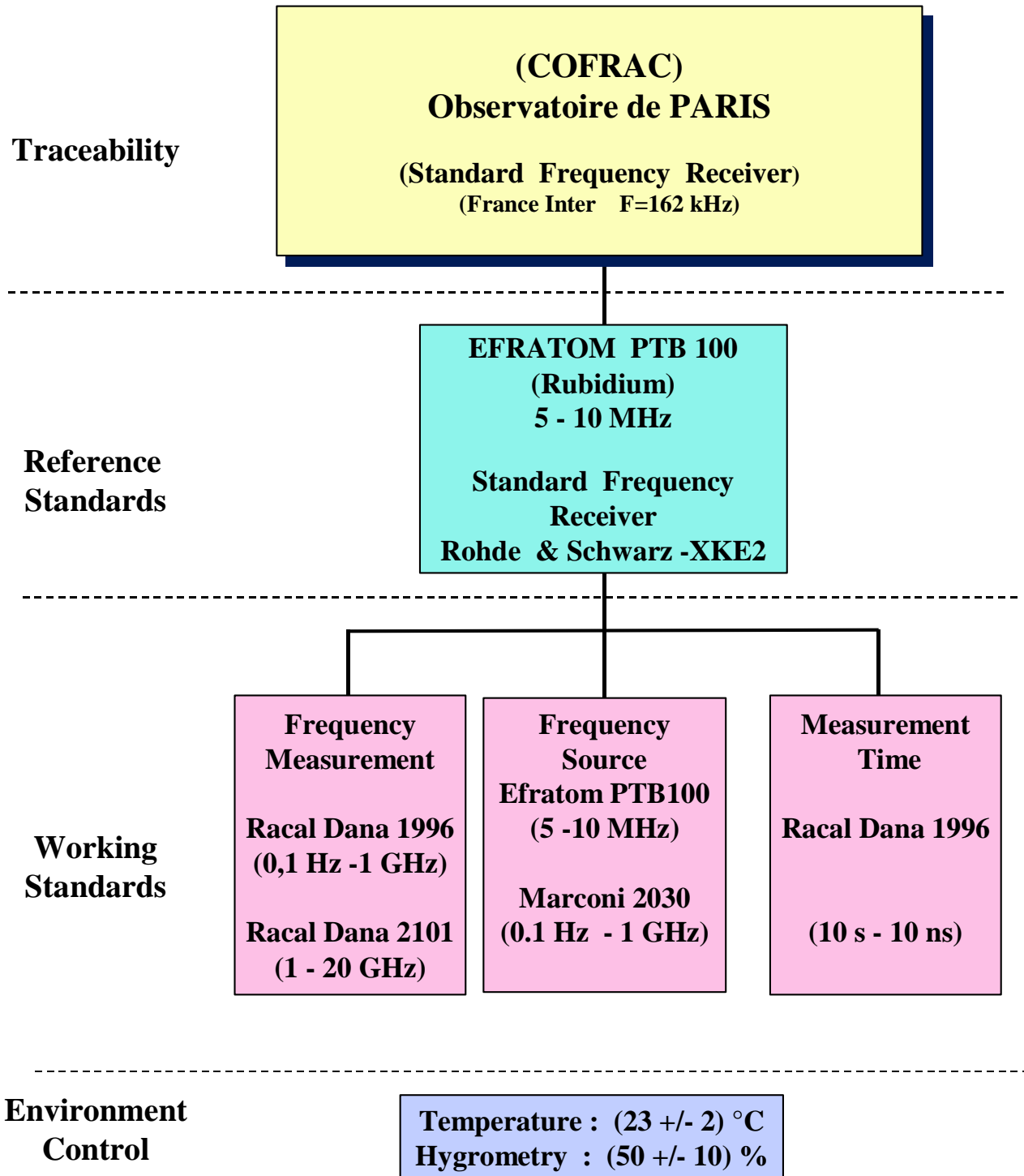
AC Intensity Traceability Map



Resistance Traceability Map



Time & Frequency Traceability Map



DC Voltage and Current Traceability Map

